

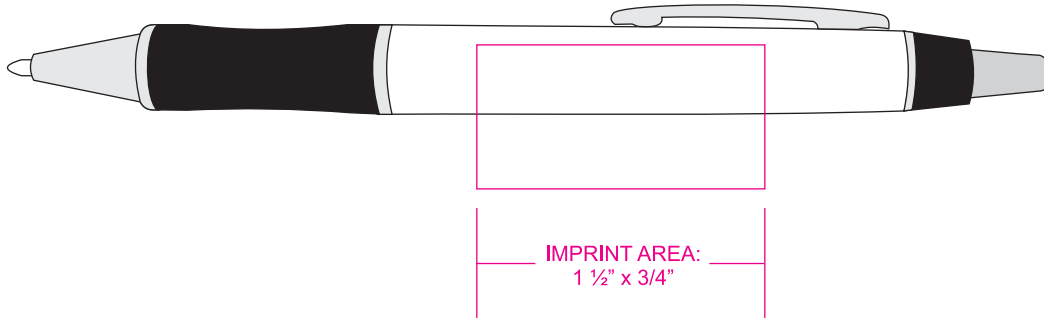
VIRTUAL SAMPLE

REMINDER: VIRTUAL SAMPLES ARE FOR ARTWORK AND IMPRINT VERIFICATION PURPOSES ONLY AND ARE NOT 100% ACCURATE IT MAY NOT REFLECT THE EXACT POSITION OR COLOR OF YOUR IMPRINT ON THE PRODUCT.

PO #:

PEN: BILLINGS D-79

IMPRINT:



- 1.) Please review your artwork carefully. Your approval confirms the accuracy.
- 2.) We are not responsible for errors, wrong phone numbers, addresses, spelling, etc.
- 3.) Delays in proof approval or excessive changes will result in an extended ship date. Excessive delays may make it impossible to meet your in hands date.
- 4.) Minor artwork variations may be necessary in order to print properly. These will be at our discretion.

DUE TO DIFFERENT MONITOR PROFILES, COLORS ON SCREEN MAY NOT BE 100% ACCURATE

FOR YOUR APPROVAL

- OK as is and ready to print
- OK w/corrections indicated
- Please submit corrected proof

By this signature below I approve this proof for printing and production based on the proof submitted and accept all changes if applicable as indicated. I understand changes made could result in additional charges, and/or shipping time, unless said changes are deemed an error committed by us.

CUSTOMER SIGNATURE X _____